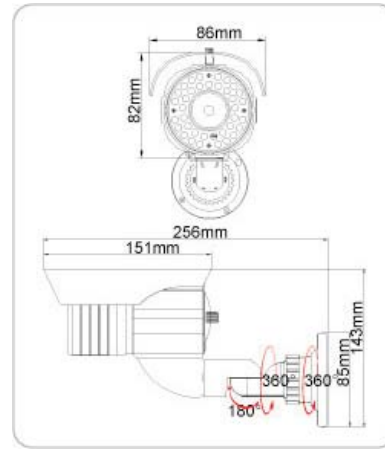


A-40M-V Varifocal IR Camera



Main Features

1. 36 Φ 5 IR LEDs
2. Lens: 4-9 mm lens
3. IR Distance: 40 m
4. with 3-AXIS bracket
5. Size: 78x125 (L) mm
6. Weight: 1.3kg with bracket

Specification

Model No:	VG-ASH42IR40M-V	VG-ASO32IR40-V	VG-ASO48IR40M-V	VGALSO54IR40M-V
Image Sensor	1/4" SHARP CCD	1/3" SONY SUPER HAD CCD		
Signal system:	PAL/NTSC			
Horizontal resolution	420 TVL		480 TVL	540 TVL
Min Illumination	0 LUX	0 LUX		
S/N Ratio	More than 48dB(AGC off)			
Shutter Speed	NTSC=1/60-1/100,000 seconds; PAL=1/50-1/100,000 seconds			
Video Output	1 Vp-p75 ohm			
Power	DC 12V			
Current	550mA			
Lens	4-9 mm vari-focal llens			
IR LEDs	36 Φ 5 Led's			
IR distance	40 m			
Operation temp	-10 to 50 (centigrade degree)			
Storage temp	20 to 60 (centigrade degree)			
Gross weight	1.3kg with bracket			